



MODEL TC400  
TIRE CART

Installation, Operation  
& Repair Parts  
Information





## TABLE OF CONTENTS

---

SAFETY INSTRUCTIONS	2
DEFINITIONS	2
SPECIFICATIONS	3
INSTALLATION INSTRUCTIONS	3
OPERATING INSTRUCTIONS	3
REPAIR PARTS	4
WARRANTY	7

## SAFETY INSTRUCTIONS

---

- NEVER allow unauthorized personnel to operate this product.
- NEVER use this product for anything other than its intended use.
- THOROUGHLY train new employees in the proper use and care of this product.
- PROHIBIT unauthorized personnel from being in shop area while this product is in use.

## DEFINITIONS

---

- **CAUTION:** Indicates a potentially hazardous situation, which if not avoided, may result in damage to property or minor personal injury.
- **HAZARD:** A source of potential injury to a person.
- **MAINTENANCE:** Those actions that preserve the correct and proper conditions under which the machine shall be used. This may include adjustment, replacement of wear items, lubrication and cleaning, but not modifications or repair of damage.
- **MAY:** This word is understood to be permissive.
- **MUST:** This word is understood to be mandatory.
- **OPERATION:** The correct and proper use of the machine as described in this manual.
- **SAFETY ALERT SYMBOL:** A symbol that indicates a potential personal safety hazard. It is composed of an equilateral triangle surrounding an exclamation point.
- **SHALL:** This word is understood to be mandatory.
- **SHOULD:** This word is understood to be advisory.
- **WARNING:** Indicates a potentially hazardous situation, which if not avoided, may result in death or serious personal injury.

## CAUTION

- ◆ Before using this product, read and fully understand the operating instructions and all decals on the product. This is necessary to prevent injury to the operator and damage to the product.
- ◆ Do not attempt to use this product for anything other than its intended purpose.
- ◆ Do not use this product if it is visibly worn, distorted or damaged.

### **SPECIFICATIONS**

---

Max. Tire Stack Height .....61.5 in  
Max. Weight Capacity.....400 lbs  
Min./Max. Tire Diameters .....20 / 37 in (51 / 94 cm)

### **INSTALLATION INSTRUCTIONS**

---

1. Unpack and remove the unit from the shipping carton / pallet.
2. Inspect the unit for any visible damage.

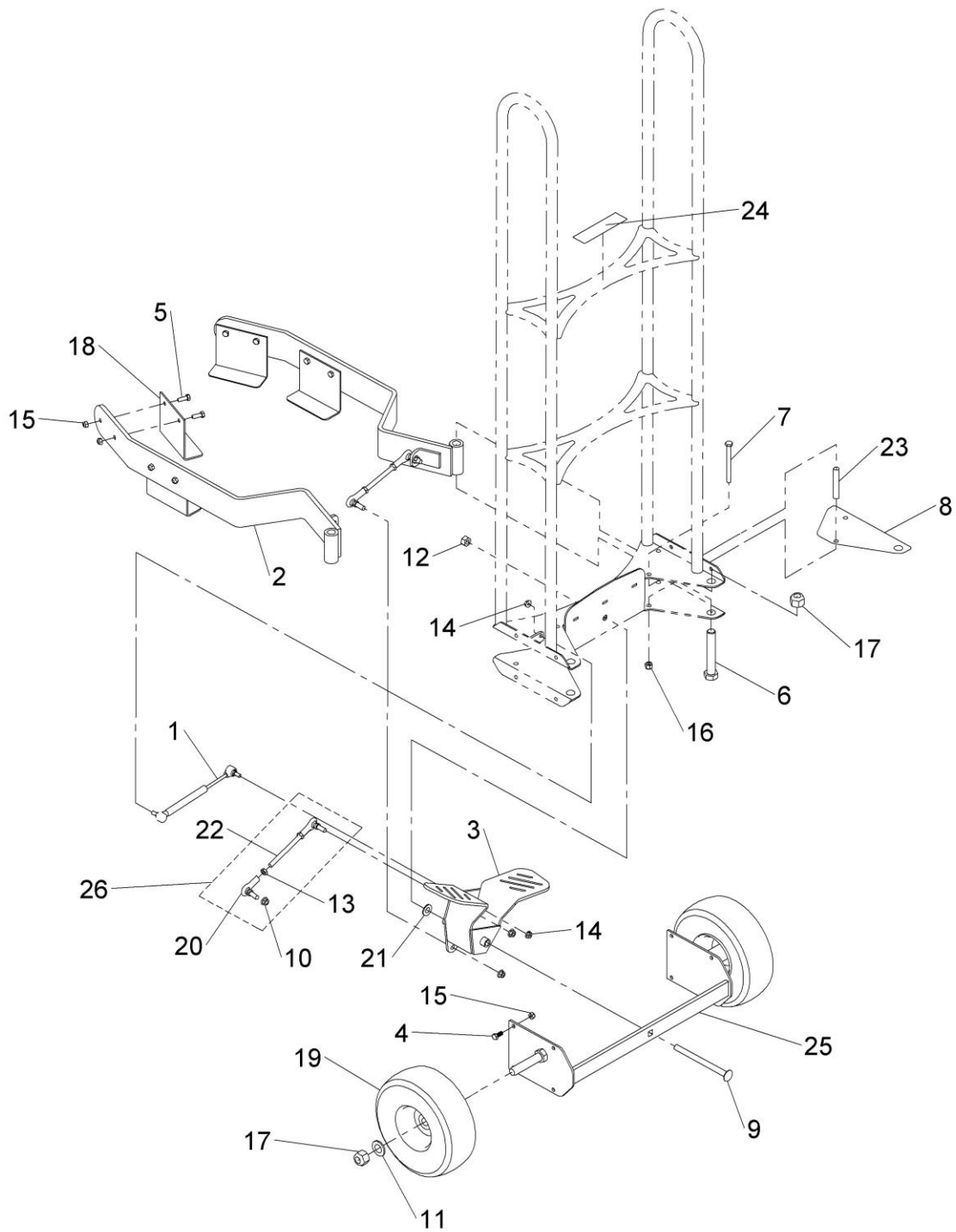
### **OPERATING INSTRUCTIONS**

---

1. Press the raised foot pedal down to open cradle arms.
2. Move cart forward so that tire stack is centered on frame and between cradle arms.
3. Slowly release foot pedal to close arms.
4. Tilt top of cart towards you while steadying tire stack.
5. Move tire stack to new location and slowly straighten cart to upright position.
6. To release tire stack, depress raised foot pedal and move cart back.
7. Once clear of tire stack, slowly release pedal.

# REPAIR PARTS

---



## MODEL TC400 SERVICE PARTS

ITEM	PART NO.	QTY	DESCRIPTION
1	01-0203	1	GAS SPRING ASSEMBLY
2	03-0337	2	ARM
3	03-0590	1	PEDAL
4	028-012	8	5/16-18 x 3/4 HHC SCREW
5	028-060	8	5/16-18 X 7/8 HHC SCREW
6	028-335	2	3/4-10 X4-1/2 HHC SCREW
7	028-341	4	3/8-16 X4 HHC SCREW
8	046-072	2	ARM PAD
9	50-0100	1	1/2-13 X 6-1/2 CARRIAGE BOLT
10	51-0022	4	3/8-24 SF HEX LOCK NUT
11	52-0021	2	3/4 SAE FLAT WASHER
12	51-0059	1	1/2-13NC NYLON JAM NUT
13	055-073	4	3/8-24 HEX JAM NUT
14	055-105	2	5/16-18 SF HEX LOCK NUT
15	055-145	16	5/16-18 NYLON HEX LOCK NUT
16	055-154	4	3/8-16 NYLON HEX LOCK NUT
17	055-157	4	3/4-10 NYLON HEX LOCK NUT
18	72-0108	4	TIRE REST BRACKET
19	106-016	2	TIRE & WHEEL ASSEMBLY
20	107-093	4	ROD END
21	108-044	3	1/2 SAE FLAT WASHER
22	149-315	2	THREADED ROD
23	268-494	4	SPACER
24	80-0397	1	DECAL, TC400
25	878-033	1	WHEEL BRACKET
26	01-0264	2	TIE ROD ASSEMBLY



## COMMERCIAL WARRANTY

This product is warranted by BRANICK INDUSTRIES, INC. to the original user-owner against defective materials or workmanship for a period of one year from the date of shipment. During the warranty period, at the discretion of Branick management, if the product is found to be defective, it will be repaired or replaced without charge. For service, contact Branick (800-437-4394) to obtain an RMA. Any product shipped to Branick must have an RMA and proof of original shipment date. The repaired or replacement product will be returned with transportation charges prepaid by Branick.

This warranty does not cover defects in the product caused by ordinary wear and tear, abuse, misuse, overloading, accident (including shipping damage), improper maintenance, alteration, or any other cause not the result of defective materials or workmanship.

REPAIR OR REPLACEMENT IS THE EXCLUSIVE REMEDY FOR DEFECTIVE PRODUCT UNDER THIS WARRANTY. THIS WARRANTY IS EXPRESSLY IN LIEU OF ALL OTHER WARRANTIES, INCLUDING ANY IMPLIED WARRANTY OF MERCHANT ABILITY OR ANY IMPLIED WARRANTY OF FITNESS FOR A PARTICULAR PURPOSE OF THIS PRODUCT. BRANICK INDUSTRIES, INC. SHALL NOT BE LIABLE FOR ANY CONSEQUENTIAL OR INCIDENTAL DAMAGES.

BRANICK INDUSTRIES, INC. reserves the right to make changes in the design or construction of our products without obligation to incorporate such changes in products already sold and without notice.

Service parts and regular repair service are available from authorized distributors of Branick products, or from:

BRANICK INDUSTRIES, INC.  
4245 Main Ave.  
 Fargo, North Dakota 58103  
Toll Free: 800-437-4394



[www.branick.com](http://www.branick.com)