



**MODEL 5300
Tire Spreader**

Installation, Operation
& Repair Parts
Information



Branick Industries, Inc. • 4245 Main Avenue • Fargo, North Dakota 58103

TABLE OF CONTENTS

SAFETY INSTRUCTIONS	1
DEFINITIONS	1
SPECIFICATIONS	2
INSTALLATION INSTRUCTIONS	2
OPERATING INSTRUCTIONS	3
MAINTENANCE	3
REPAIR PARTS	4
WARRANTY	11

SAFETY INSTRUCTIONS

- NEVER allow unauthorized personnel to operate this product.
- NEVER use this product for anything other than its intended use.
- THOROUGHLY train new employees in the proper use and care of this product.
- PROHIBIT unauthorized personnel from being in shop area while this product is in use.

DEFINITIONS

- **CAUTION:** Indicates a potentially hazardous situation, which if not avoided, may result in damage to property or minor personal injury.
- **HAZARD:** A source of potential injury to a person.
- **MAINTENANCE:** Those actions that preserve the correct and proper conditions under which the machine shall be used. This may include adjustment, replacement of wear items, lubrication and cleaning, but not modifications or repair of damage.
- **MAY:** This word is understood to be permissive.
- **MUST:** This word is understood to be mandatory.
- **OPERATION:** The correct and proper use of the machine as described in this manual.
- **SAFETY ALERT SYMBOL:** A symbol that indicates a potential personal safety hazard. It is composed of an equilateral triangle surrounding an exclamation point.
- **SHALL:** This word is understood to be mandatory.
- **SHOULD:** This word is understood to be advisory.
- **WARNING:** Indicates a potentially hazardous situation, which if not avoided, may result in death or serious personal injury.

CAUTION

- ◆ Before using this product, read and fully understand the operating instructions and all decals on the product. This is necessary to prevent injury to the operator and damage to the product.
- ◆ This product is intended to be used to spread tire casings for inspection and/or repair only.
- ◆ Keep fingers and hands clear of all hooks and mechanisms during operation.
- ◆ Do not use this product if it is visibly worn, distorted or damaged.
- ◆ Always wear appropriate eye protection.

WARNING

- ◆ Keep feet clear of the tire lift when raising and lowering tire.
- ◆ All personnel must be clear of the spread arms during operation.

SPECIFICATIONS

Max Compressed Air Supply:	125 psi (8.6 bar)
Dimensional data:	33 x 35 x 40 in (84 x 89 x 102 cm)
With lift lowered:	33 x 54.5 x 40 in (84 x 139 x 102 cm)
Weight:	290 lbs (131.5 kgs)

INSTALLATION

- 1) Unpack and remove unit from shipping pallet.
- 2) Position the Model 5300 on a solid level floor leaving a minimum of 12 inches of clearance from rear and 10 inches of clearance from non-operator side. Bolt down using the four bolt holes on the base of the unit.
- 3) Install a 1/4 NPT quick coupler nipple (not provided) into the air inlet port located on the lower rear of machine.
- 4) Connect the shop air line to the quick coupler nipple.
- 5) Connect the light to any convenient 110/120V power source.

OPERATING INSTRUCTIONS

- 1) Pull the bead hooks up and away from the center of the machine.
- 2) While supporting the lift cradle, pull the red lock pin knob out and lower the cradle to the floor. Roll the tire onto the cradle and steady the tire while activating the tire lift foot valve to raise the tire all the way up. The lift will stop when it reaches the full up position.
- 3) Roll the tire onto the spreader. Use the tire lift foot valve to lower the lift to the floor.
- 4) Place the bead hooks between the tire beads. The vertical and horizontal position of the bead hooks are adjustable using the quick release pins.
- 5) Use the tire spread foot valve to spread the tire as required. The light can be positioned to view any portion of the tire.
- 6) To rotate the tire while on the spreader, release pressure between bead hooks and tire. Rotate the tire to desired position and spread to the desired width. Repeat this operation until the tire is inspected.
- 7) To remove the tire from the machine, close the bead hooks. After the bead hooks disengage, swing them up and out of the tire. Move the light fixture out of the tire.
- 8) Return the lift to the up position and hold the foot valve briefly to compensate for the tire's weight. Roll the tire onto the lift arm and use the tire lift foot valve to lower the tire to the floor.
- 9) Roll the tire off and return the lift cradle to the upright position by pulling out the lock pin, raising the lift cradle and releasing the lock pin.

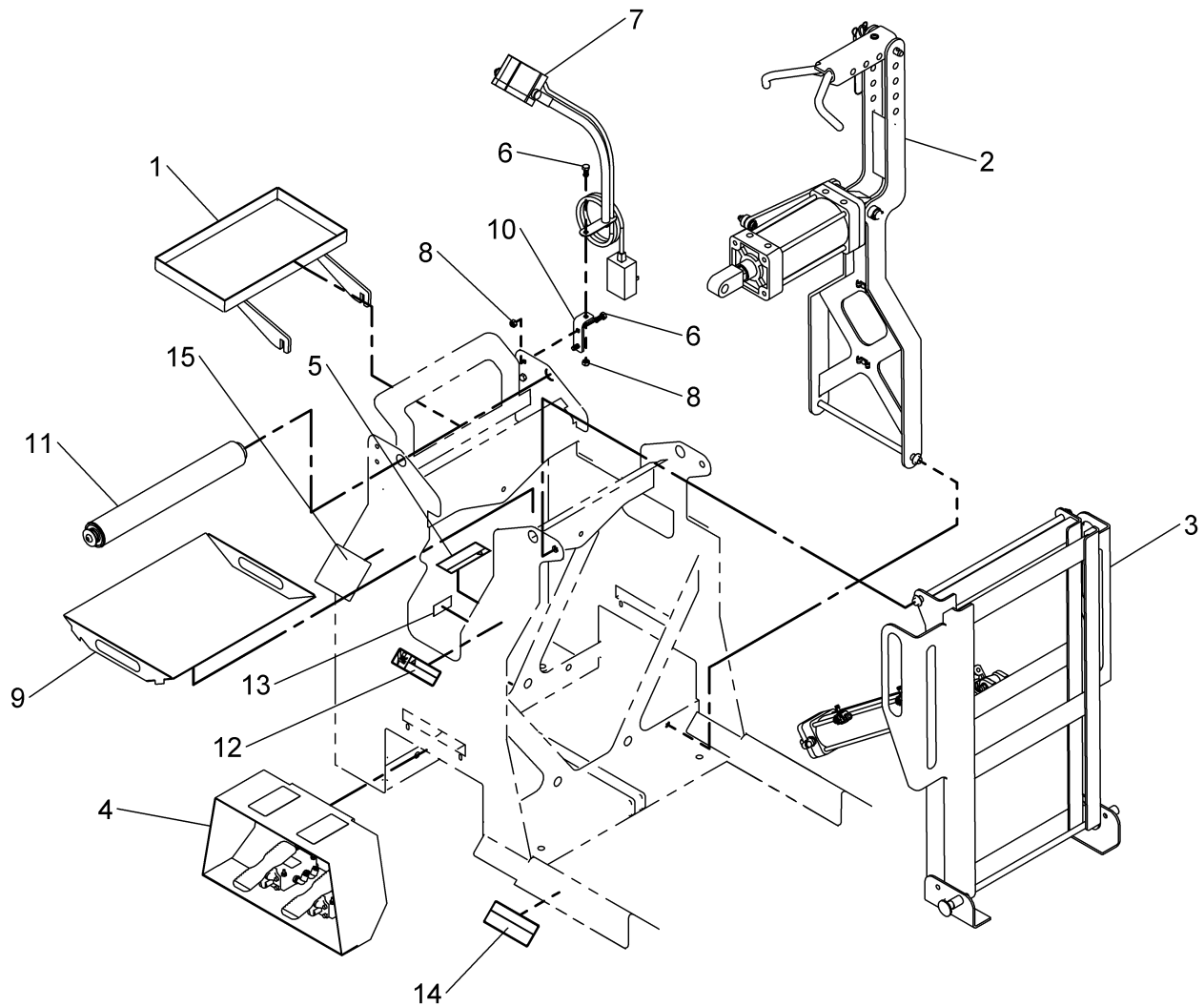
MAINTENANCE

CAUTION

Before servicing machine disconnect air line and unplug light.

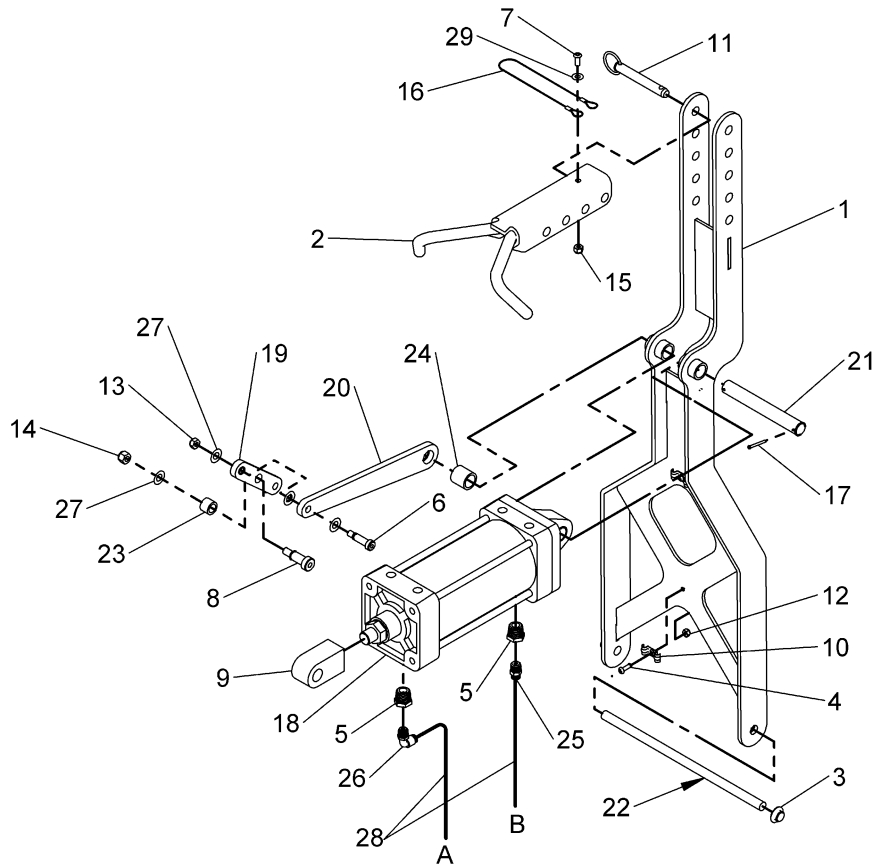
MONTHLY – Inspect unit for air leaks and wear or damage on pins and rollers.
Lubricate all moving parts (bolts, hinges, rollers, etc.) with a lubricating oil.

REPAIR PARTS



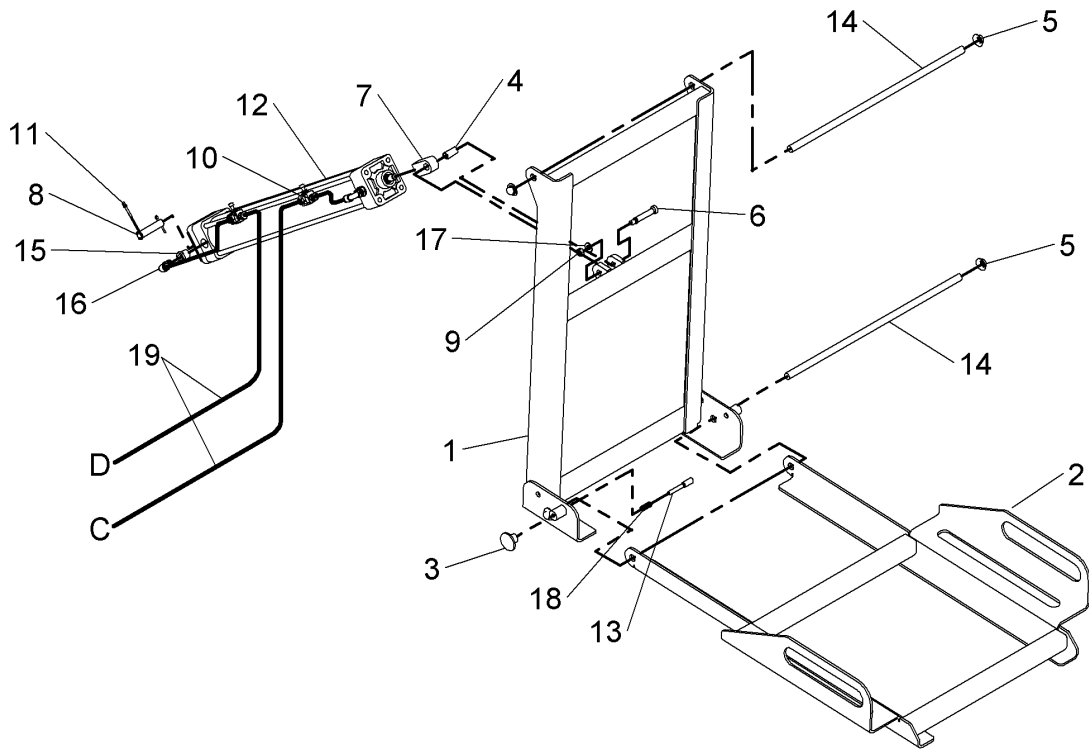
MAIN ASSEMBLY

ITEM	QTY.	PART NO.	DESCRIPTION
1	1	03-0299	TOOL TRAY
2	1	-	SPREAD ARM ASSEMBLY
3	1	-	LIFT ASSEMBLY
4	1	-	FOOT VALVE ASSEMBLY
5	1	026-300	CAUTION DECAL
6	3	028-012	5/16-18 X 3/4" SCREW
7	1	40-0090	LED LIGHT
8	3	055-145	5/16-18 NYLON LOCK NUT
9	1	72-0484	DEBRIS TRAY
10	1	72-0485	LIGHT BRACKET
11	2	-	ROLLER ASSEMBLY
12	2	80-0083	WARNING DECAL
13	1	80-0240	INLET DECAL
14	2	80-0283	TIRE LIFT WARNING DECAL
15	2	80-0431	MODEL DECAL



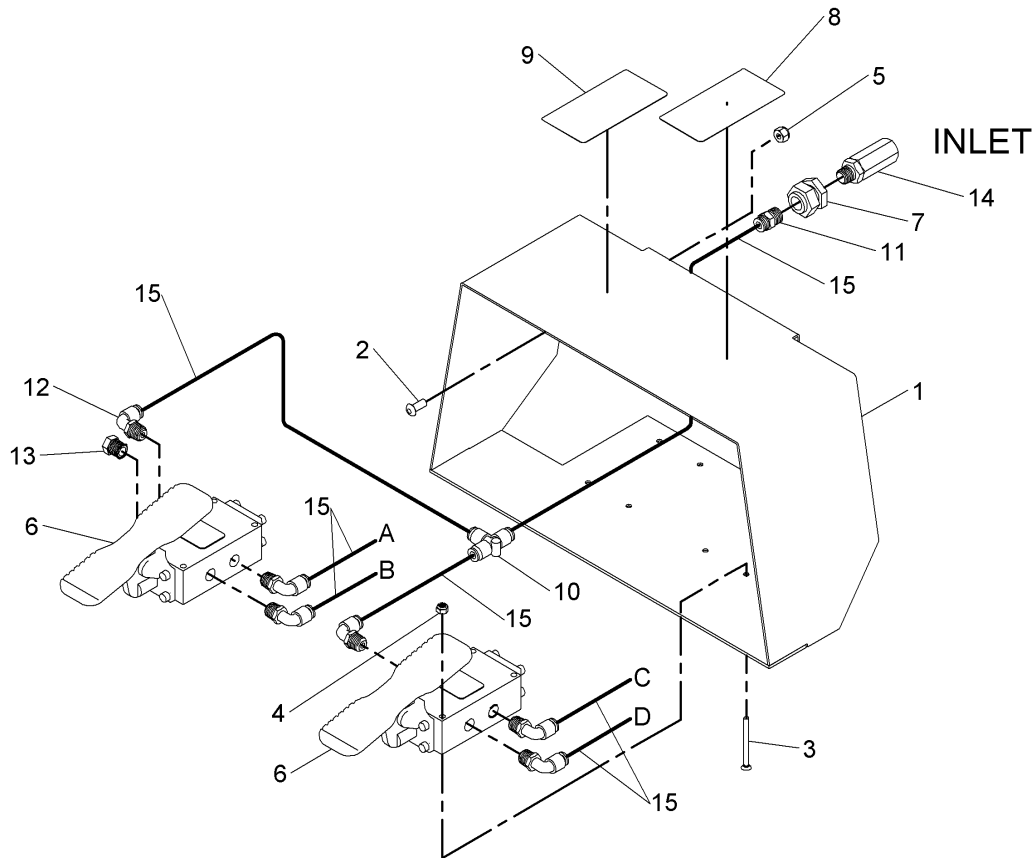
SPREAD ARM ASSEMBLY

ITEM	QTY.	PART NO.	DESCRIPTION
1	2	03-0614	SWING ARM
2	2	03-0624	BEAD HOOK
3	4	020-024	CAP NUT
4	2	028-155	#10-24 X 5/8" SCREW
5	2	039-008	1/2 NPT TO 1/4 NPT REDUCER
6	2	50-0027	3/8 X 1" SHOULDER SCREW
7	2	50-0125	1/4-20 X 5/8" SCREW
8	1	50-0165	1/2" X 1" SHOULDER SCREW
9	1	53-0038	3/4" CLEVIS
10	2	53-0039	ROUTING CLAMP
11	2	54-0055	QUICK RELEASE PIN
12	2	055-127	#10-24 NYLON LOCK NUT
13	2	055-145	5/16-18 NYLON LOCK NUT
14	2	055-154	3/8-16 NYLON LOCK NUT
15	2	055-160	1/4-20 NYLON LOCK NUT
16	2	59-0087	LANYARD
17	4	061-006	SPRING PIN
18	1	63-0030	SPREAD CYLINDER
19	1	71-0370	PIVOT ARM
20	2	71-0371	SPREAD LINKAGE ARM
21	2	73-1134	SPREAD PIN
22	2	73-1137	SWING ARM ROD
23	1	74-0368	PIVOT SPACER
24	2	74-0371	LINKAGE SPACER
25	1	096-340	1/4 NPT TO 1/4 TUBE CONNECTOR
26	1	096-342	1/4 NPT TO 1/4 TUBE ELBOW
27	7	108-015	3/8" WASHER
28	-	D20-007	1/4" AIR LINE
29	1	108-110	1/4" WASHER



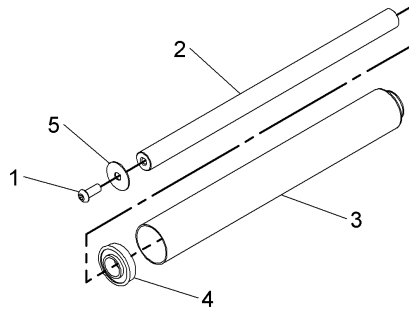
LIFT CYLINDER PNEUMATICS

ITEM	QTY.	PART NO.	DESCRIPTION
1	1	03-0615	LIFT ARM
2	1	03-0616	LIFT CRADLE
3	1	11-0109	KNOB
4	1	20-0004	BEARING
5	4	020-024	CAP NUT
6	1	50-0072	3/8" X 1-3/4" SHOULDER SCREW
7	1	53-0040	1/2" CLEVIS
8	1	53-0037	1/2" CLEVIS PIN
9	1	055-145	5/16-18 NYLON LOCK NUT
10	2	60-0220	FLOW CONTROL
11	2	061-023	COTTER PIN
12	1	63-0031	LIFT CYLINDER
13	1	73-1000	LOCK PIN
14	2	73-1138	LIFT ARM ROD
15	2	096-039	3/8 NPT TO 1/4 NPT REDUCER
16	2	096-342	1/4 NPT TO 1/4 NPT TUBE ELBOW
17	1	108-123	5/16" WASHER
18	1	110-065	SPRING
19	-	D20-007	1/4" AIR LINE



FOOT VALVE ASSEMBLY

ITEM	QTY.	PART NO.	DESCRIPTION
1	1	03-0625	FOOT GUARD
2	2	50-0125	1/4-20 x 5/8 SCREW
3	8	50-0168	#8-32 X 2" SCREW
4	8	055-082	#8-32 NYLON LOCK NUT
5	2	055-160	1/4-20 NYLON LOCK NUT
6	2	60-0009	FOOT VALVE
7	1	60-0192	1/4 NPT BULKHEAD
8	1	80-0432	LIFT DECAL
9	1	80-0433	SPREAD DECAL
10	1	096-339	1/4" TUBE TEE
11	1	096-340	1/4 NPT TO 1/4 TUBE CONNECTOR
12	6	096-342	1/4 NPT TO 1/4 TUBE ELBOW
13	4	885-035	BREATHER
14	1	932-001	IN-LINE FILTER
15	-	D20-007	1/4" AIR LINE



ROLLER ASSEMBLY

ITEM	QTY.	PART NO.	DESCRIPTION
1	2	50-0167	3/8-16 X 1" SCREW
2	1	73-1133	ROLLER BAR
3	1	74-0370	ROLLER
4	2	107-016	BEARING
5	2	108-141	3/8" FENDER WASHER

Notes:

Notes:

COMMERCIAL WARRANTY

This product is warranted by BRANICK INDUSTRIES, INC. to the original user-owner against defective materials or workmanship for a period of one year from the date of shipment. During the warranty period, at the discretion of Branick management, if the product is found to be defective, it will be repaired or replaced without charge. For service, contact Branick (800-437-4394) to obtain an RMA. Any product shipped to Branick must have an RMA and proof of original shipment date. The repaired or replacement product will be returned with transportation charges prepaid by Branick.

This warranty does not cover defects in the product caused by ordinary wear and tear, abuse, misuse, overloading, accident (including shipping damage), improper maintenance, alteration, or any other cause not the result of defective materials or workmanship.

REPAIR OR REPLACEMENT IS THE EXCLUSIVE REMEDY FOR DEFECTIVE PRODUCT UNDER THIS WARRANTY. THIS WARRANTY IS EXPRESSLY IN LIEU OF ALL OTHER WARRANTIES, INCLUDING ANY IMPLIED WARRANTY OF MERCHANTABILITY OR ANY IMPLIED WARRANTY OF FITNESS FOR A PARTICULAR PURPOSE OF THIS PRODUCT. BRANICK INDUSTRIES, INC. SHALL NOT BE LIABLE FOR ANY CONSEQUENTIAL OR INCIDENTAL DAMAGES.

BRANICK INDUSTRIES, INC. reserves the right to make changes in the design or construction of our products without obligation to incorporate such changes in products already sold and without notice.

Service parts and regular repair service are available from authorized distributors of Branick products, or from:

BRANICK INDUSTRIES, INC.
4245 Main Ave.
Fargo, North Dakota 58103
Toll Free: 800-437-4394



www.branick.com

© Copyright 2018 by Branick Industries, Inc.

Printed in U.S.A.